

Actuating controls for AP/ST series control panel valves

- for series AP, ST



Ambient temperature min./max.

-30 ... 70 °C

Weight

See table below

Technical data

Part No.	Type	Color	Scope of delivery
R412012734	Push button	Red	1 piece
R412012735	Push button	Black	1 piece
R412012736	Push button	Yellow	1 piece
R412012737	Push button	Green	1 piece
R412012738	Mushroom button	Red	1 piece
R412012739	Mushroom button	Green	1 piece
R412012740	Mushroom button	Yellow	1 piece
R412012741	Mushroom button with detent and rotary release	Red	1 piece
R412012742	Lever switch	Red	1 piece
R412012743	Lever switch	White	1 piece
R412012744	Rotary switch with two notched positions	Red	1 piece
R412012745	Rotary switch with two notched positions	Grey	1 piece
R412012748	Push button with detent and rotary release	Black	1 piece
R412012746	Rotary lock with two keys	Grey	1 piece
R412015479	Rotary lock with two keys	Grey	1 piece

Part No.	Weight	Fig.	
R412012734	0,011 kg	Fig. 1	-
R412012735	0,011 kg	Fig. 1	-
R412012736	0,011 kg	Fig. 1	-
R412012737	0,011 kg	Fig. 1	-
R412012738	0,024 kg	Fig. 2	-
R412012739	0,024 kg	Fig. 2	-
R412012740	0,024 kg	Fig. 2	-
R412012741	0,047 kg	Fig. 3	1)
R412012742	0,014 kg	Fig. 4	-
R412012743	0,014 kg	Fig. 4	-

Part No.	Weight	Fig.	
R412012744	0,02 kg	Fig. 5	-
R412012745	0,02 kg	Fig. 5	-
R412012748	0,032 kg	Fig. 6	-
R412012746	0,05 kg	Fig. 7	2)
R412015479	0,05 kg	Fig. 7	3)

1) Only for ST series spring-return valves (R422002211, R422002213)

2) The key can be removed only if the button is in the actuated state.

3) The key can be removed in the actuated or non-actuated state.

Technical information

Combining an ST control panel valve with an actuating control may create an emergency OFF control device, which must comply with the applicable regulations in the EC Machinery Directive 2006/42/EC and the EN ISO 13850 and EN ISO 13849 standards. In terms of EN ISO 13849, an ST control panel valve is a single-channel component. A sturdier architecture must be selected to attain a higher performance level (c, d, e).

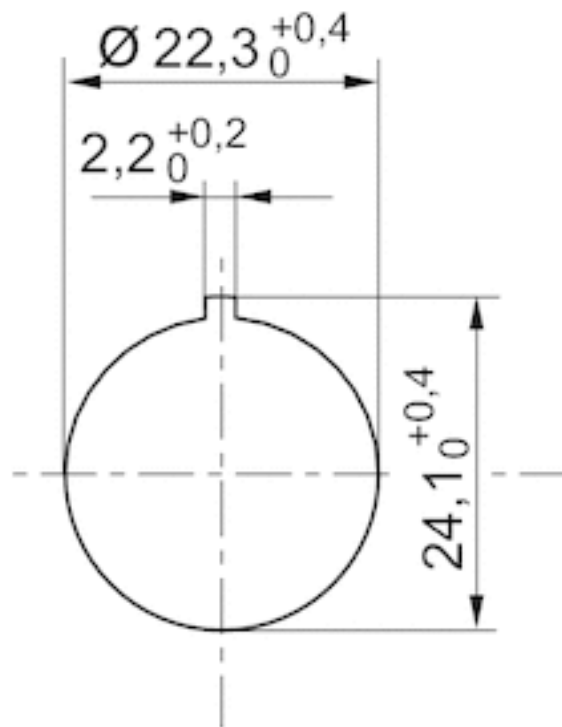
Technical information

Material

Housing	Polyamide
---------	-----------

Dimensions

Dimensions, cut-out in the front plate, single valve



When arranging multiple valves, see "cut-out in the front plate" of the AP or ST series.

Fig. 1

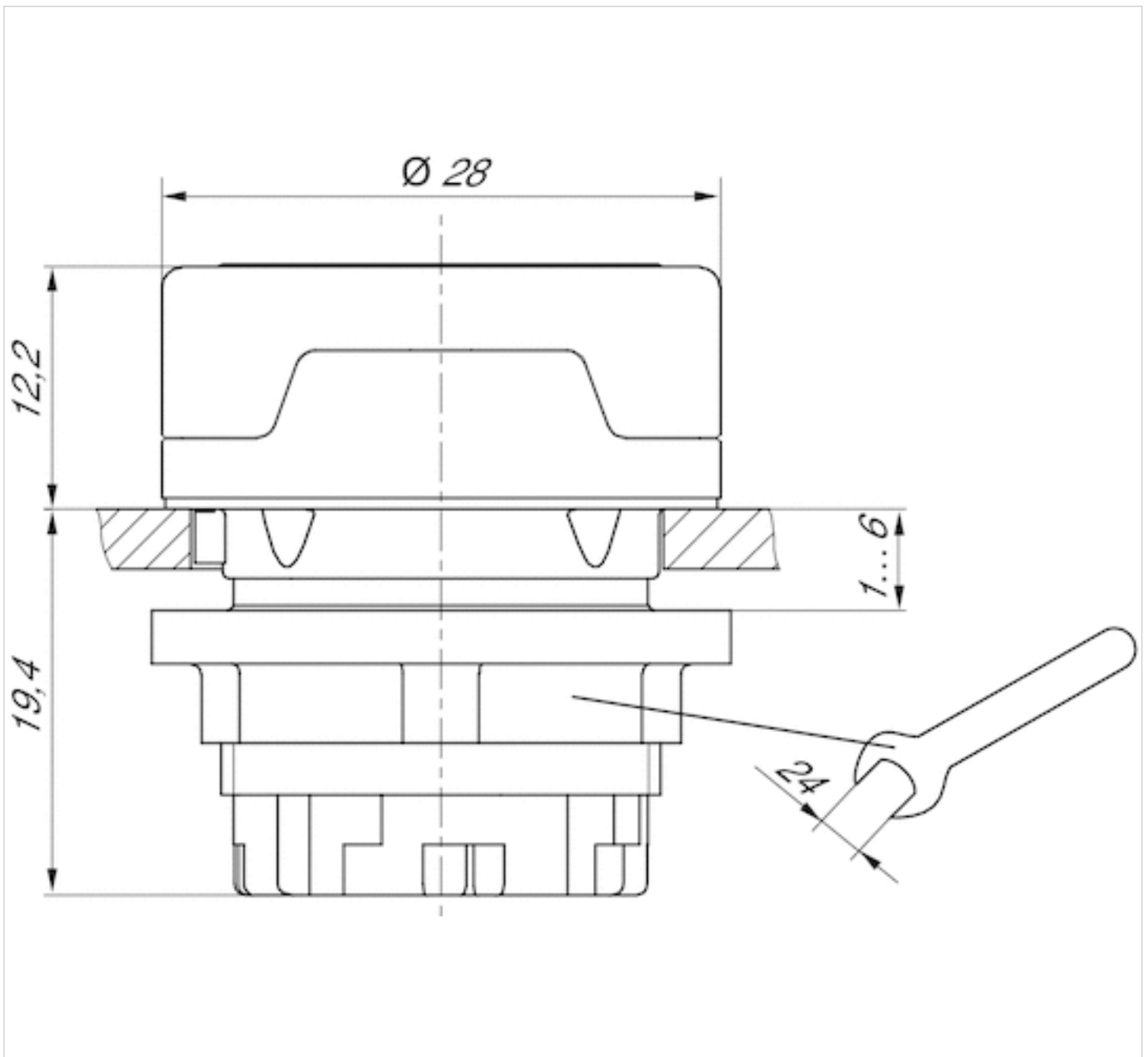


Fig. 2

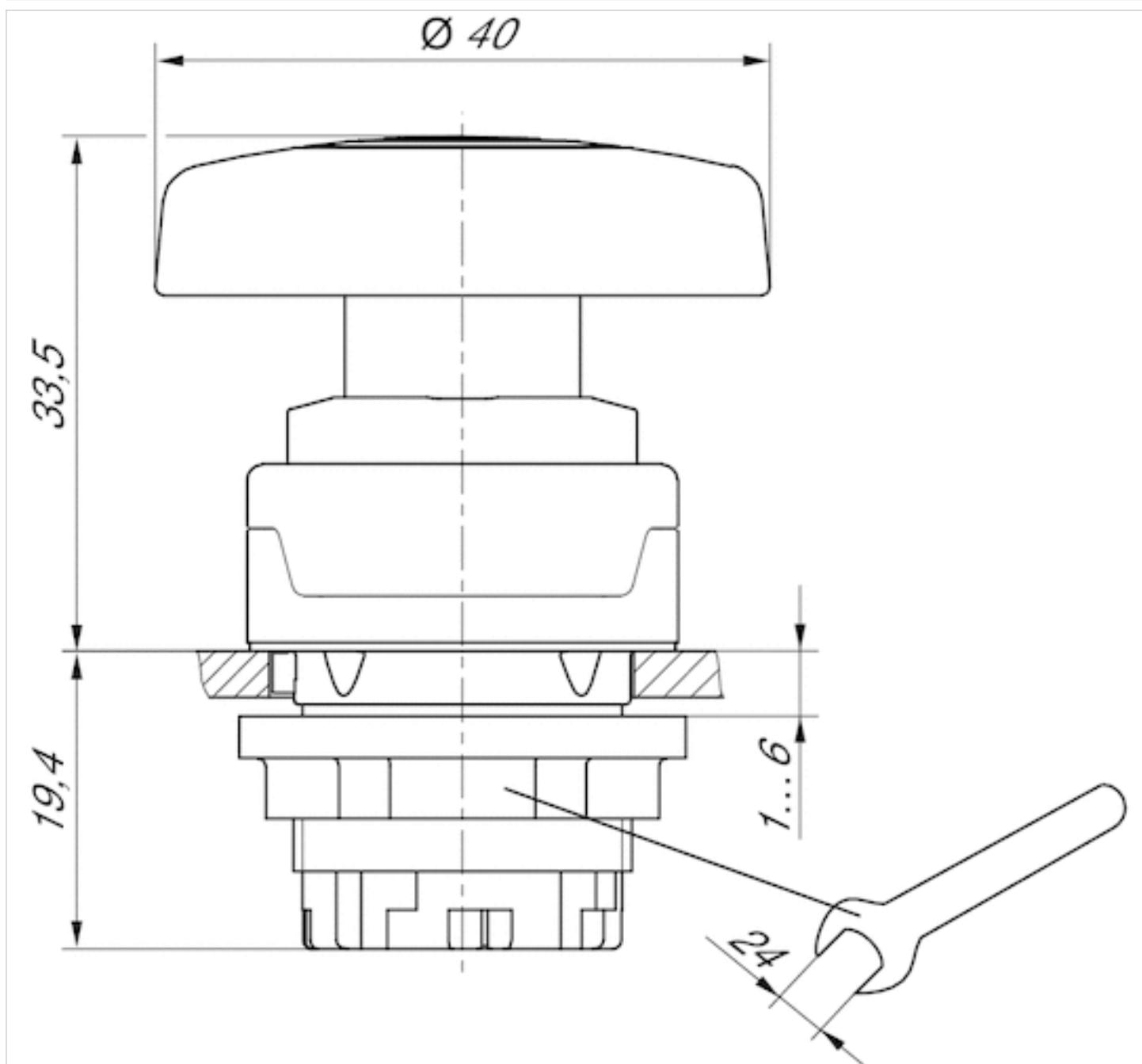
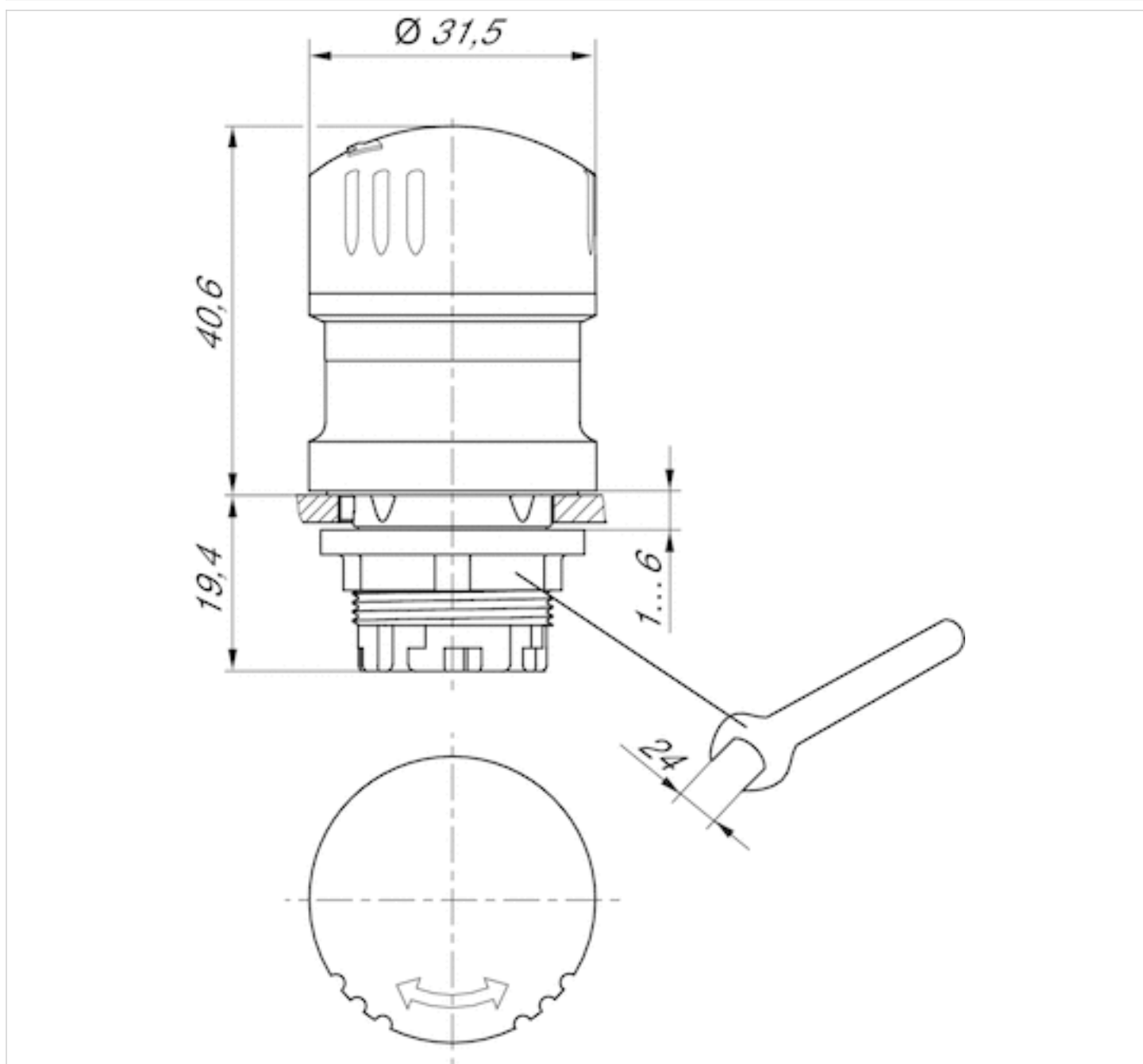


Fig. 3



Only for ST series spring-return valves (R422002211, R422002213)

Fig. 4

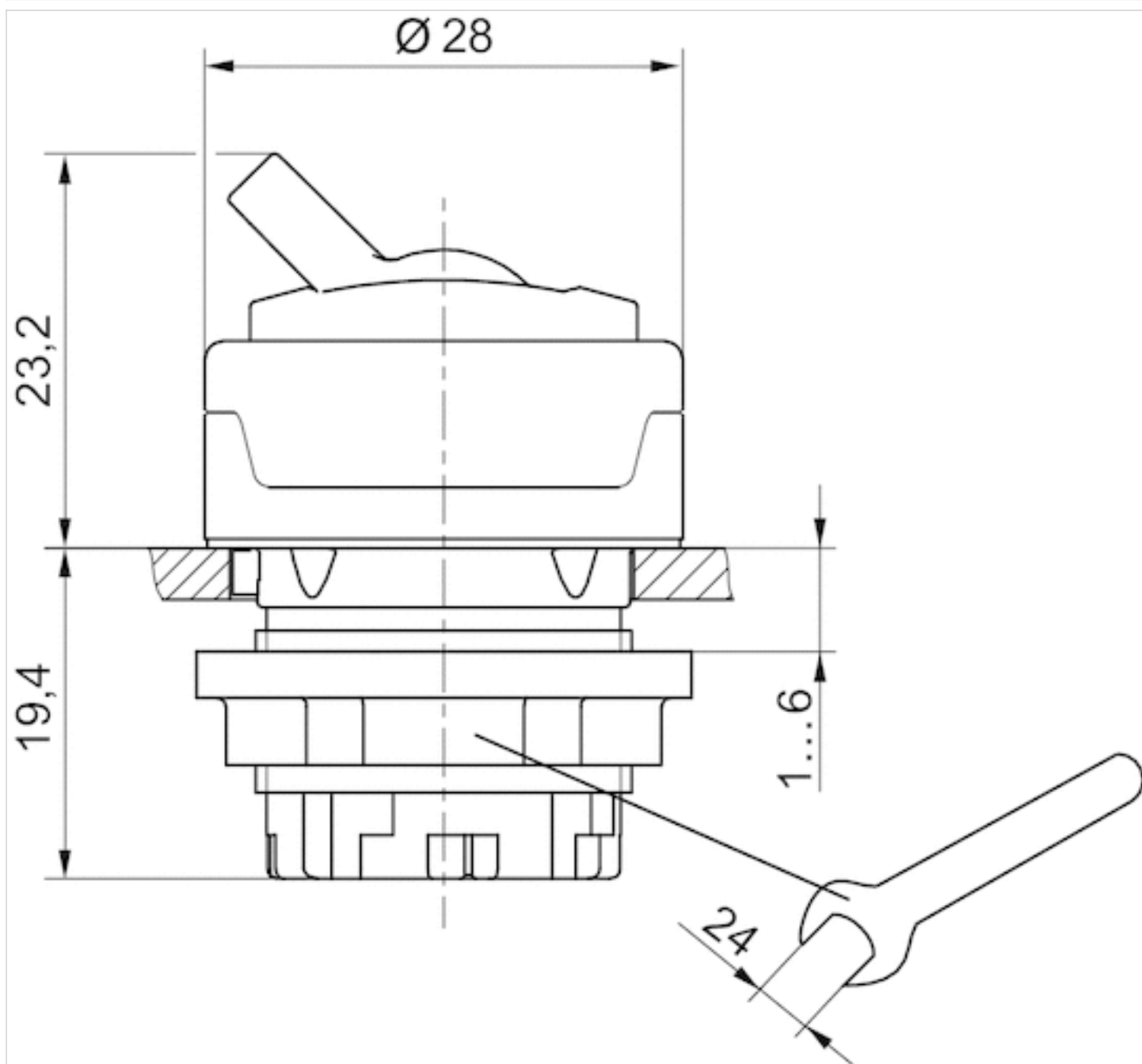


Fig. 5

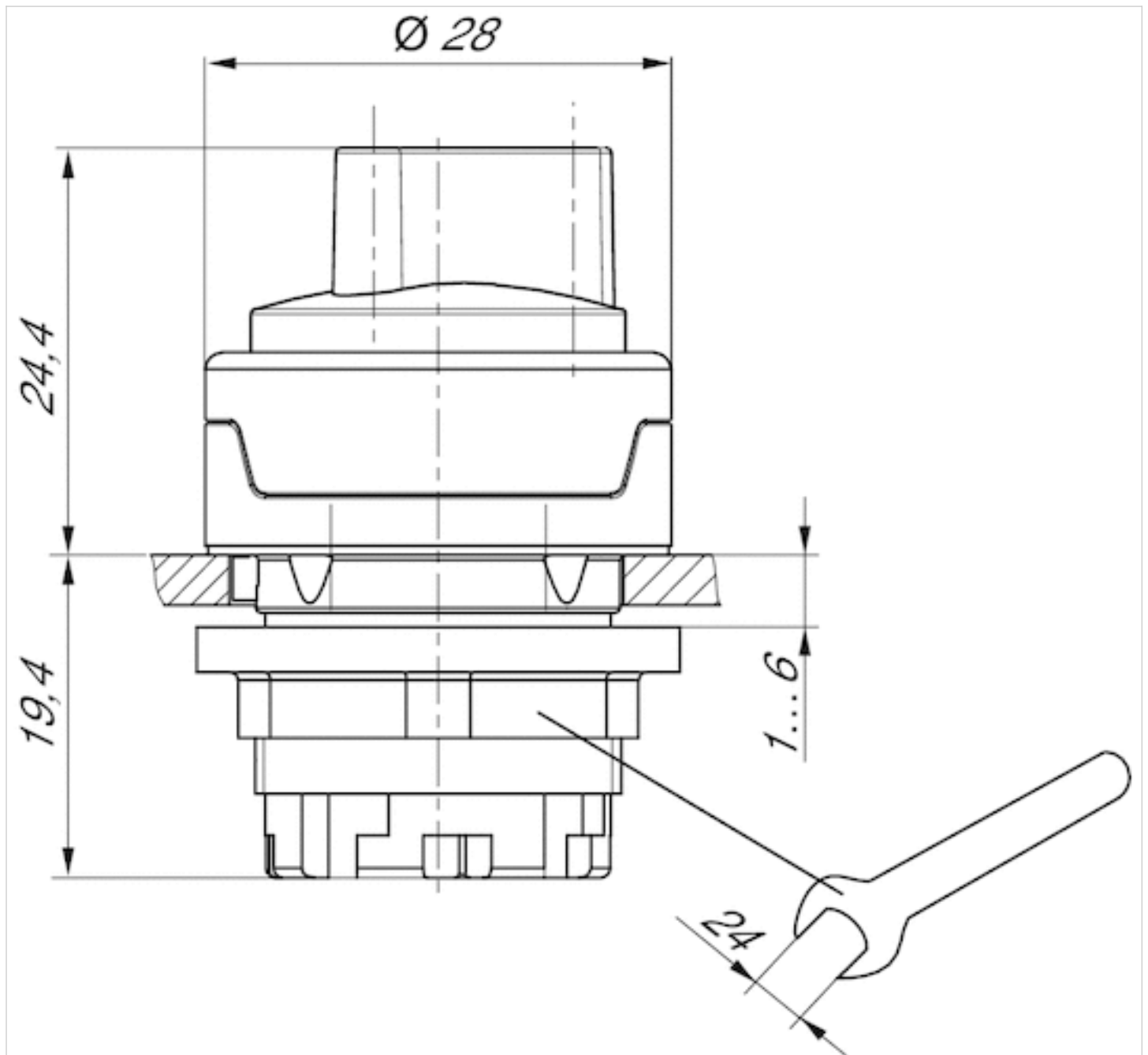


Fig. 6

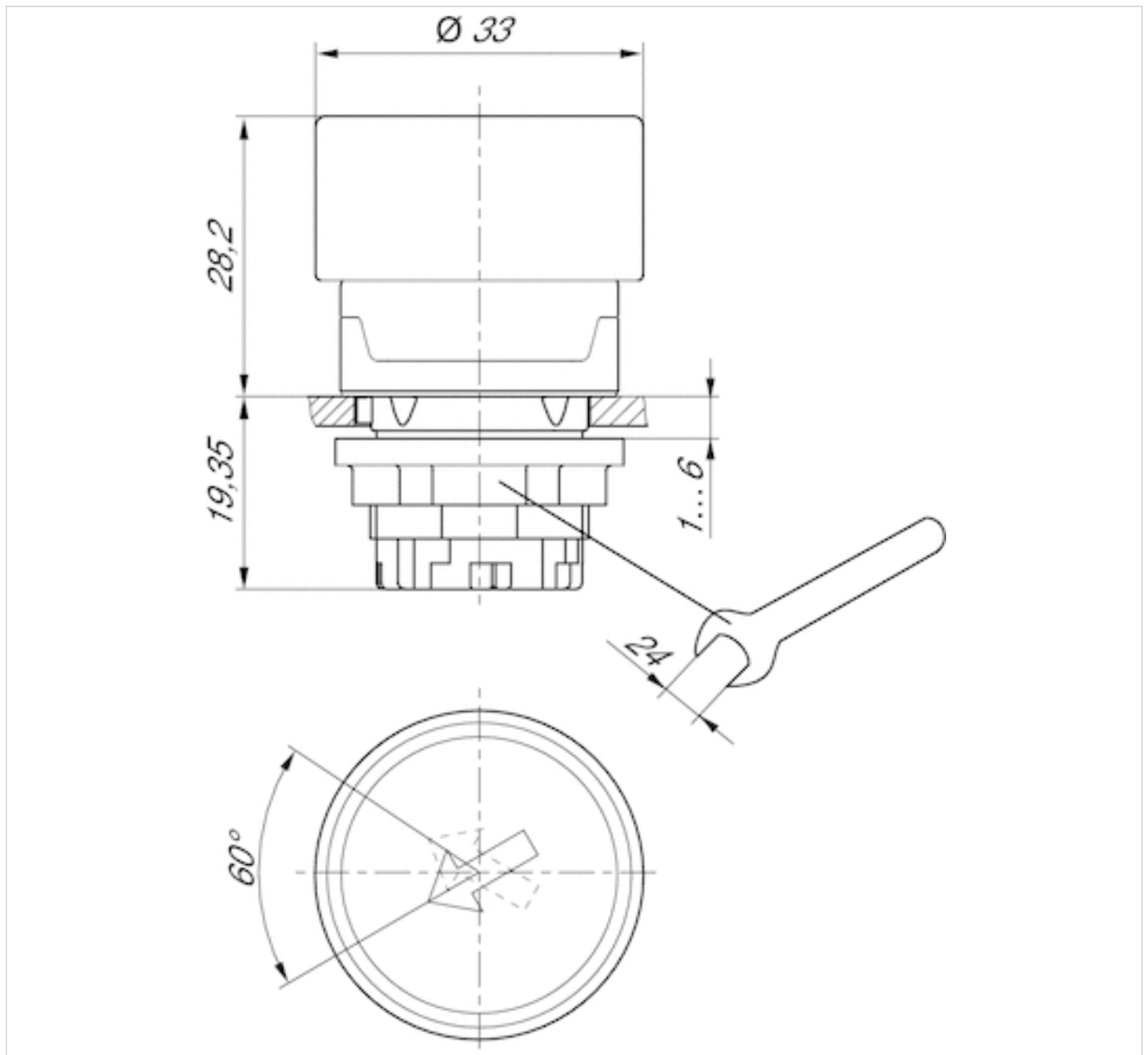
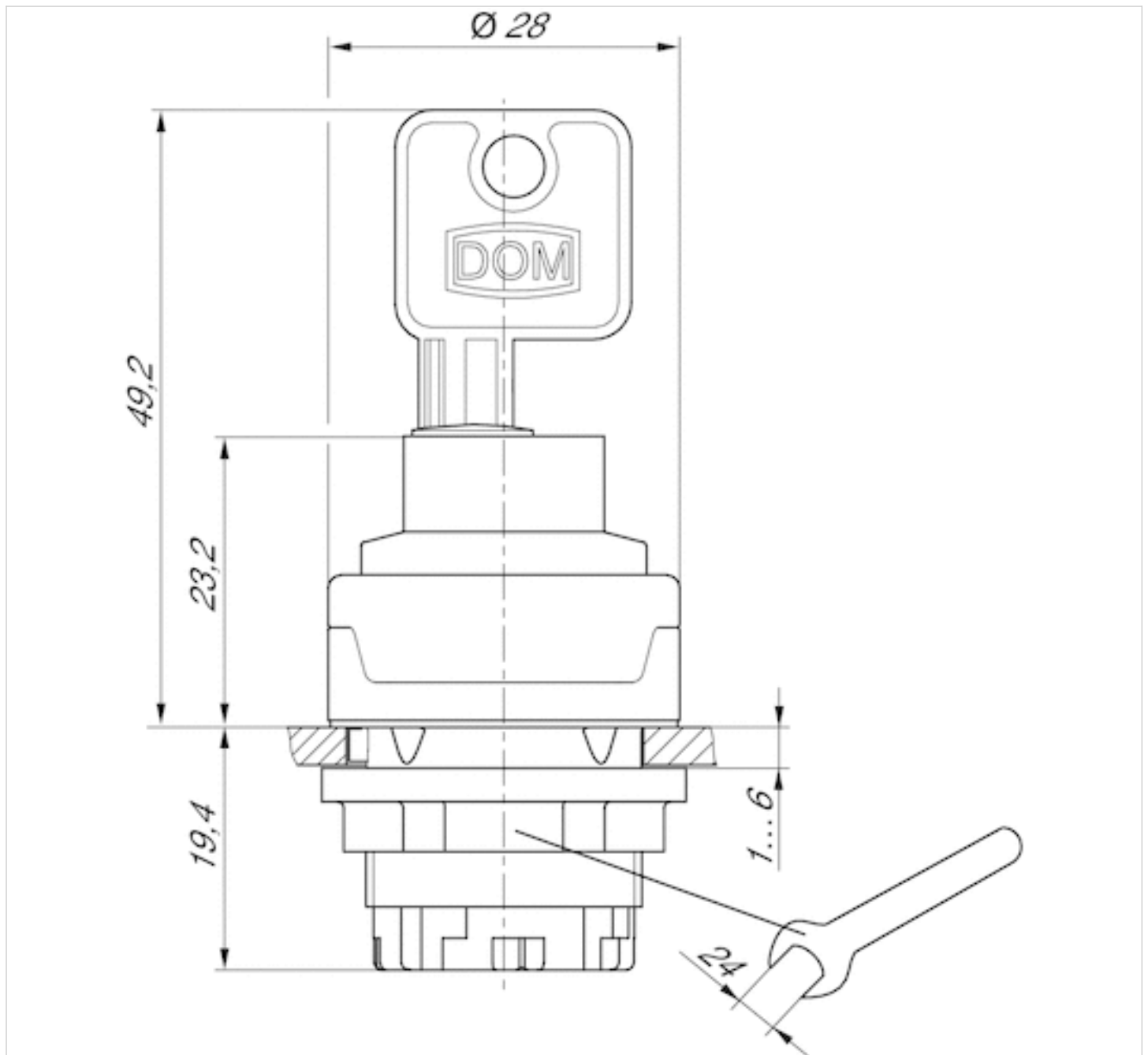


Fig. 7



Efficient pneumatic solutions, our program: cylinders and drives, valves and valve systems, air supply management



Visit us: [Emerson.com/Aventics](https://www.emerson.com/Aventics)

Your local contact: [Emerson.com/contactus](https://www.emerson.com/contactus)



[Emerson.com](https://www.emerson.com)



[Facebook.com/EmersonAutomationSolutions](https://www.facebook.com/EmersonAutomationSolutions)



[LinkedIn.com/company/Emerson-Automation-Solutions](https://www.linkedin.com/company/Emerson-Automation-Solutions)



[Twitter.com/EMR_Automation](https://twitter.com/EMR_Automation)

An example configuration is depicted on the title page. The delivered product may thus vary from that in the illustration. Subject to change. This Document, as well as the data, specifications and other information set forth in it, are the exclusive property of AVENTICS GmbH. It may not be reproduced or given to third parties without its consent. Only use the AVENTICS products shown in industrial applications. Read the product documentation completely and carefully before using the product. Observe the applicable regulations and laws of the respective country. When integrating the product into applications, note the system manufacturer's specifications for safe use of the product. The data specified only serve to describe the product. No statements concerning a certain condition or suitability for a certain application can be derived from our information. The information given does not release the user from the obligation of own judgement and verification. It must be remembered that the products are subject to a natural process of wear and aging.

The Emerson logo is a trademark and service mark of Emerson Electric Co. Brand logotype are registered trademarks of one of the Emerson family of companies. All other marks are the property of their respective owners. © 2020 Emerson Electric Co. All rights reserved.
2020-12



CONSIDER IT SOLVED™